

2041-00 48 VDC/1.25 Amp Wall-Mounted Power Supply

1. GENERAL

1.1 Document Purpose

This document describes the Westell 2041-00 Wall-Mounted Power Supply, shown in Figure 1.

1.2 Document Status

When this practice is updated, the reason is stated here. Revision J adds the power LED and the FCC notice. Revision H updated Figures 1 and 2. Revision G updated the company information. Revision F updated Figure 3. Revision E updated the UL standard to UL 60950-1. Revision D updated Figure 3. Revision C described only the 2041-00 (deleted WPS2005 and WPS2010), added Figure 2, and updated Figure 1 and Figure 3. Revision B changed the WPS204112 model number to 2041-00. Revision A replaced practice 057-032602, updated Table 1, Figure 2, and the company contact information, and deleted models WPS2001, WPS2015 and WPS2035.

1.3 Product Purpose and Description

The 2041-00 is a practical, low-cost, power source for apparatus cases or other light-duty telephone applications. This 48 VDC/1.25 Amp output power supply is typically used to provide a convenient power source for many Westell products. On one end of the power supply is a six-foot power cord. This modified cord terminates with an adapter-type plug that contains both a male 3-prong plug (for use in a standard AC receptacle) and a female 3-prong receptacle (which accepts another male-ended plug, specially designed for applications when outlets are limited). DC output connections are made to three spade lugs located on the other end of the power supply. The 2041-00 power supplies are compact and constructed of an impact-resistant thermoplastic material for long life operation.

1.4 Product Mounting

The 2041-00 is typically mounted on a flat surface or a wall with the included wall-mount bracket.

1.5 Product Features

The 2041-00 offers the following features.

- Economical, compact, power source for light-duty telephone applications
- Regulated and protected against short-circuits
- -48 VDC output voltage
- 3-conductor output power cord with spade lugs
- Plugs into standard 3-prong AC receptacle or adapts to another 3-prong AC male plug
- Green power LED
- Wall-mount bracket included
- Impact-resistant, long-lasting thermoplastic material
- Complies with FCC Part 15, Subpart B, Class B
- Listed to UL 60950-1 and CAN/CSA-C22.2 No. 60950-1-03

- INSPECTION NOTE -

Inspect the unit for damages upon delivery: if damaged in transit, immediately report the damage to the transportation company and to Westell.

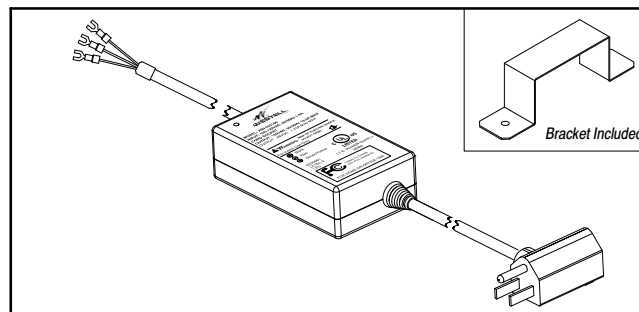


Figure 1. 2041-00 Power Supply

- FCC PART 15 NOTICE -

This equipment has been tested and found to comply with the limits for a Class B digital device, pursuant to Part 15 of the FCC Rules. These limits are designed to provide reasonable protection against harmful interference in a residential installation. This equipment generates, uses and can radiate radio frequency energy and, if not installed and used in accordance with the instructions, may cause harmful interference to radio communications. However, there is no guarantee that interference will not occur in a particular installation. If this equipment does cause harmful interference to radio or television reception, which can be determined by turning the equipment off and on, the user is encouraged to try to correct the interference by one or more of the following measures:

- Reorient or relocate the receiving antenna.
- Increase the separation between the equipment and receiver.
- Connect the equipment into an outlet on a circuit different from that to which the receiver is connected.
- Consult the dealer or an experienced radio/TV technician for help.

Changes or modifications not expressly approved by the manufacturer could void the user's authority to operate this equipment.

- CAUTION -

Use power supply only in protected, indoor environments, away from water, humidity, condensation and debris. Ensure all power and power source receptacles are properly grounded.

- PRECAUTIONARY STATEMENT -

**Never install telephone wiring during a lightning storm.
Never install telephone jacks in wet locations unless the jack is specifically designed for wet locations.
Never touch uninsulated telephone wires or terminals unless the telephone line has been disconnected at the network interface.
Use caution when installing or modifying telephone lines.**

- DANGER -

Disconnect power to the receptacle and the power supply before working on the power supply (during installation, de-installation, or maintenance procedures to the power supply). Metal receptacle cover plates are not recommended; if used, exercise extreme caution (especially when removing mounting screws) to avoid contact between the cover plate and the prongs/blades on the power supply.

2. CUSTOMER & TECHNICAL SERVICES

If technical or customer assistance is required, contact Westell by calling or using one of the following options:

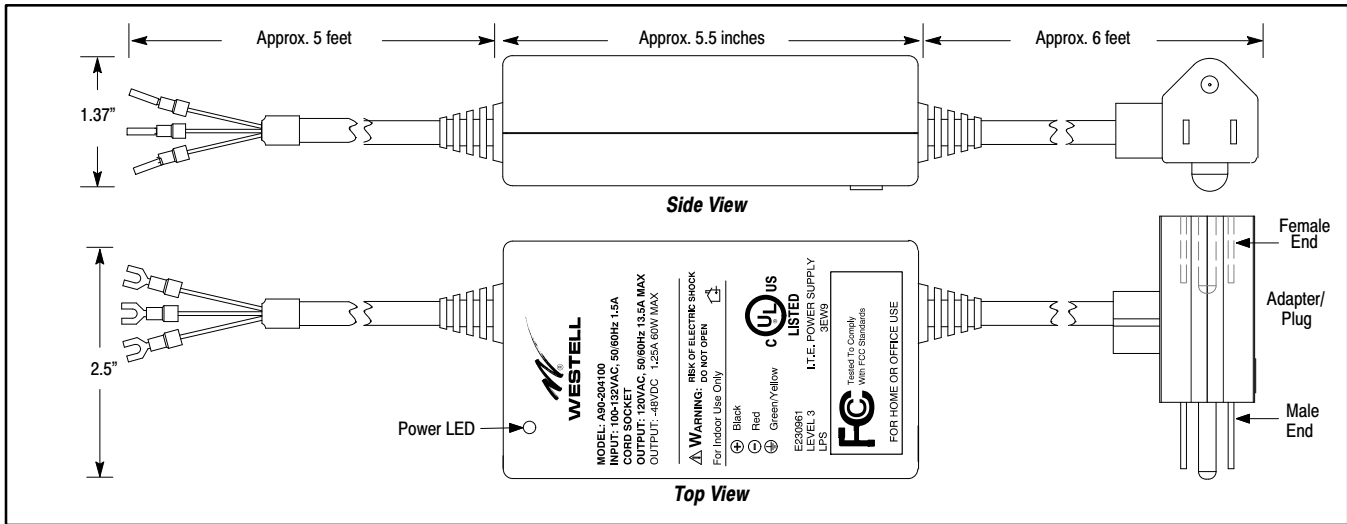


Figure 2. 2041-00 Top and Side Views

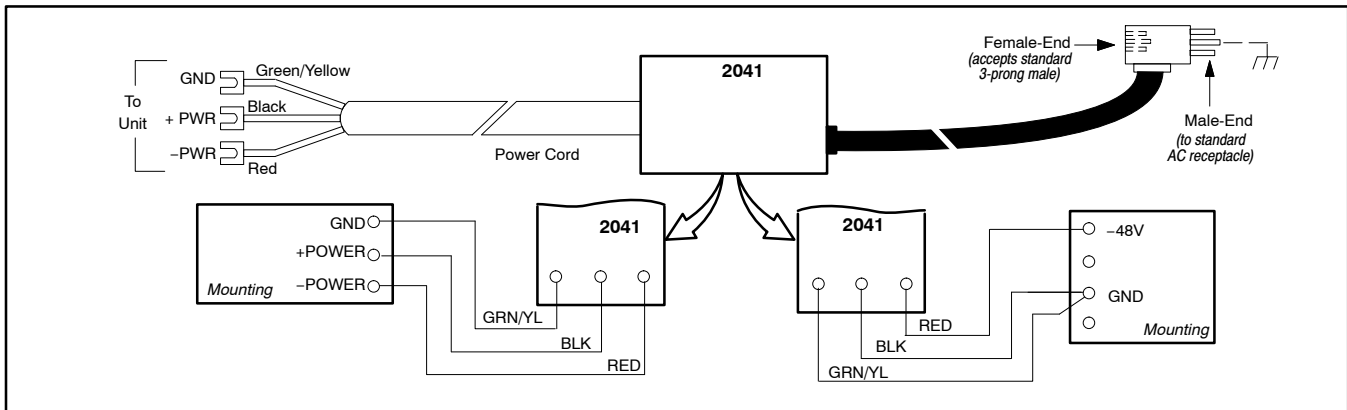


Figure 3. 2041-00 Power/Wiring Connections

Voice: (800) 377-8766
 email: global_support@westell.com

For additional information about Westell, visit the Westell World Wide Web site at <http://www.Westell.com>.

Part #	Description
A90-204100	48 VDC 1.25 Amp output Wall-Mount Power Supply (input voltage = 90-132 VAC, 60 Hz, single phase), with 3-conductor output cable (w/spade lugs) plus 6' AC power cord with 3-prong male/female adapter. CLEI* Code: DSPUFVHCAA. Barcode/ECI: 285958. CPR: M70035.

* CLEI is a trademark of Telcordia Technologies.

Table 1. Ordering Information

3. WARRANTY & REPLACEMENT

3.1 Warranty. Westell warrants this product to be defect-free at shipment time and warrants this product to be fully functional for the time period specified by the terms and conditions governing the sale of the product. Equipment repair/modification attempts by unauthorized persons will void the warranty. If a unit needs repair, call Westell for a Return Material Authorization (RMA) number, then return the defective unit (freight prepaid), and a brief problem description, to the address we will provide to you when you contact us.

Voice: (630) 375-4457
 email: rgmdept@westell.com

3.2 Replacements. Replacements are shipped in the fastest manner consistent with the urgency of the situation. Westell will repair or replace faulty equipment beyond the warranty period for a nominal charge. Contact Westell for details.

3.3 Field Repairs. This equipment should not be field repaired. If the equipment is suspected of being faulty, replace it with another unit, optioned identically, and retest. If the replacement unit appears to operate correctly, the original unit may be faulty and should be returned to Westell for repair or replacement (Paragraph 3.1). These procedures are not designed to effect repairs or modifications. Any tests beyond those outlined herein, or repairs made beyond replacing a faulty unit, are not recommended and may void the warranty.

Physical Feature	U.S.	Metric
Height	2.5 inches	6.4 cm
Width	5.5 inches	14 cm
Depth	1.4 inches	3.5 cm
Weight (approx.)	1.5 lbs.	0.68 Kg
Operating Temp.	32° to 104°F	0 to 40°C
Humidity	0 to 95% (non-condensing)	

Table 2. 2041-00 Physical Specifications