

- Installation Guide -

VE118-PT12 LGX-Type Panel with 12-Position DC Terminal Block

1. GENERAL DESCRIPTION

1.1 Document Purpose

This document provides installation information for the Westell® VirtualEdge® VE118-PT12 LGX®-type panel with a 12-position DC terminal block, which is designed for installation in any LGX-type position in an LGX-compatible enclosure or mounting panel. A VE118-PT12 panel is shown in Figure 1.

- NOTE -

Hereafter, the VE118-PT12 also may be commonly referred to as the "panel." VirtualEdge® may be referred to as "VE."

1.2 Document Status

Whenever this document is updated, the reason will be stated here.

1.3 Product Purpose & Mounting

The VE118-PT12 is an LGX-type faceplate panel which contains a 12-position DC block for DC power connections (12-30 AWG wire) in an easy-mount LGX panel. This panel can be used in any 118mm LGX-based opening, allowing a mix of power distribution close to other LGX panels with Ethernet/fiber/DS1/DS3 service hand-offs mounted nearby. When used in an LGX-compatible enclosure (e.g., the Westell VEUE30), this panel provides a termination point for 6 power pairs (12 total positions). Network connections typically terminate on the rear side and the customer typically terminates on the front side using the six, provided, 2-position terminal blocks (1 block for each power pair, see Figure 2). Nominal current = 15 A. Nominal voltage = 300 V.

As shown in Figure 3, two snap-in Nylatch® fasteners (2 factory-installed) are used to secure the panel in the empty LGX position.

- INSPECTION NOTE -

Visually inspect the product for damages prior to installation. If damaged in transit, immediately report the damage to the transportation company and to Westell (see Part 3 for telephone number).

2. INSTALLATION

Always follow local company practices and procedures when installing equipment. If none exist, follow the steps below to install the VE118-PT12 in Westell's VEUE30 (an LGX-compatible enclosure). Consult Figure 3 as needed while performing these steps.

1. **Gather tools and supplies.** The following tools and supplies may be needed to install the panel.
 - Westell VirtualEdge® VEUE-30 enclosure with LGX®-type cut-out slots

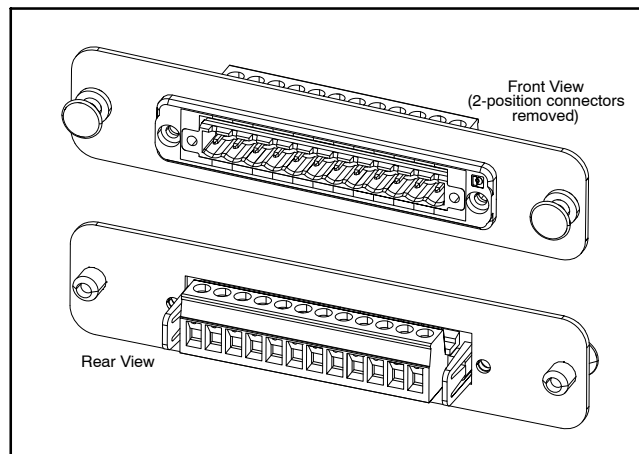


Figure 1. VE118-PT12 Panel

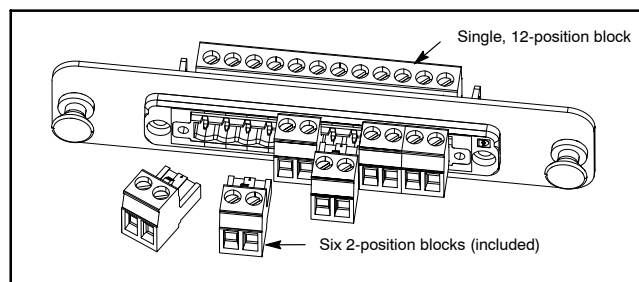


Figure 2. Front View Showing Six 2-Position Blocks

- Key or can wrench (216 tool) to open VEUE-30 door (depending on which model of VEUE-30 used).
2. **Open the enclosure.** Use the enclosure's key or a can wrench to open the enclosure, depending on the model used. The divider wall between the compartments (which is used as a mounting plate for the panels) may be unscrewed and pulled out for easier access and hand mobility.
 3. **Align panel with the mounting slot.** Locate the mounting holes at the top and bottom of the empty LGX-type position in the enclosure. Align the Nylatch® fasteners (push-pins) and holes at each end of the panel with the holes in the empty LGX position in the divider wall of the enclosure.
 4. **Secure panel with fasteners.** Insert the Nylatch fasteners at both ends of the panel through the mounting holes provided for them in the enclosure, and press or snap them into place (fasteners also can be easily pulled out to remove them).
 5. **Test.** Attempt to move the panel to verify a snug fit.
 6. **Route and connect cables.** Route then connect/terminate DC power leads to both sides of the panel, per company practice. For convenience, six 2-position terminal blocks are provided for easy connections at the front of the panel.

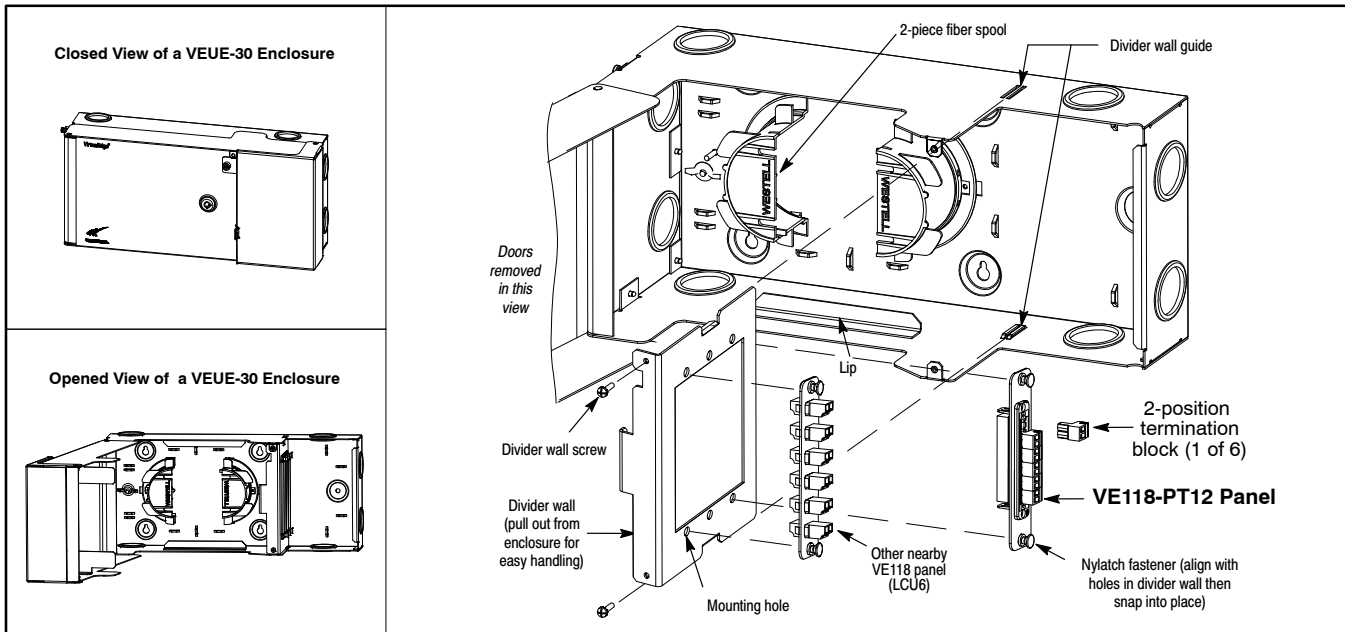


Figure 3. Installing Panel Inside a VEUE-30 Enclosure

7. **Perform cable management.** Carefully and gently loop and manage any excess cable slack using the cable management features on the mounting.

3. CUSTOMER & TECHNICAL SERVICES

If technical or customer assistance is required, contact Westell by calling or using one of the following options:

Voice: (800) 377-8766
email: global_support@westell.com

3.1 **Warranty.** Westell warrants this product to be defect free at shipment time, and warrants the product to be fully functional for the time period specified by the terms and conditions governing the product sale. Equipment repairs/modifications by unauthorized persons will void the warranty.

3.2 **Repair and Return.** Westell will repair or replace this unit without cost during the warranty period if the unit is defective for any reason other than abuse, improper use, or improper installation. To return defective equipment, first request a Return Material Authorization (RMA) number from Westell by calling or using one of the options shown below. Once an RMA number is obtained, return the defective unit (freight prepaid), along with a brief problem description, to the address we will provide to you when you contact us.

Voice: (630) 375-4457
email: rgmdept@westell.com

Westell will repair/replace faulty equipment beyond the warranty time for a nominal charge. Call Westell for details.

4. SPECIFICATIONS

The physical specifications are shown in Table 2.

To order panels, call the telephone number shown in Part 3 and please specify the panel part number shown in Table 1.

Part #	Description
A90-VE118PT12	Westell VirtualEdge® 12-position DC power terminal block in a 118mm LGX-type panel. Includes 2 Nylatch® fasteners. Mounts in empty LGX-position in a VirtualEdge VEUE-30 enclosure (or other LGX-compatible enclosures).

Table 1. Ordering Information

Feature	U.S.	Metric
Height (horizontal unit)	1.14 inch	2.9 cm
Width (horizontal unit)	5.1 inches	13 cm
Width, between mounting holes	4.64 inches	118 mm
Depth, front to back term. block	1.1 inches	2.79 cm
Operating Temperature	-40° to 149°F	-40° to +65°C
Humidity	0 to 95% (non-condensing)	

Table 2. VE118-PT12 Physical Specifications