

Westell® | CoverEdge™ SSP Fiber Terminal (Splice, Split and Patch)

General Information

Westell's CoverEdge SSP fiber terminal is a compact, installer-friendly solution providing service distribution in residential and commercial applications. This terminal makes it an excellent fiber terminal for Brownfield and Greenfield applications.

The outdoor-indoor enclosure enables deployment in various FTTx applications while reducing part #s, minimizing installation time, and reducing TCO (Total Cost of Ownership). It provides a seamless transition point from hardened OSP cable to indoor premise distribution drop cable.

The splice, split and patch functionalities can be combined and mixed, meeting most installation scenarios. In addition to accepting various conduit sizes, both gutter and trapezoidal molding are accommodated as pathways to provide a complete range of input and output cabling options.

Installations can be wall, H-Frame, or pole mounted in a minimal footprint in Greenfield and Brownfield applications. This makes a great solution for both Multi-Dwelling Unit (MDU) & Multi-Tenant Unit (MTU) applications.

Terminal Highlights

- Multi-faceted terminal:
 - Splice, split and patch
 - Patch & splice
 - Splice
- Craft separation panel provides two distinct chambers:
 - Rear Chamber: Splicing and feeder cable storage
 - Front Chamber: Optical splitters and/or patch modules and slack drop storage
- Great for high-density deployments with up to 48 SC ports or 96 LC ports
- Port numbers visible for installation and maintenance
- Terminal includes:
 - Intuitive cable routing:
 - Feeder cable in rear chamber
 - Drop cables in front chamber
 - Total drop slack storage:
 - 288 feet of 3mm drop cable
 - Splice capacity of 48 via Qty. 4 x 12-count stackable splice trays
 - Flexible splicing options:
 - Drops to premises
 - Optical splitter input
 - SC bulkhead inputs
 - "Pass-through" fiber in route to additional terminals
 - Removable lay-in grommets
- Accommodates Conduit / Gutter / Trapezoidal Molding for cable input and output:
 - Includes 4 Conduit Clamps
 - Includes sealing foam for Gutter and Trapezoidal Molding to prevent insect and dust ingress
 - Includes 2 x 1 1/4" to 1 1/2" reducer adapters for smaller conduit



EPSP-0000-0: SSP Fiber Terminal (Splitter, Splice and Patch)

Splitter & Patch Module Highlights

- Splitter module options: 1x4, 1x8, 1x16, and 1x32
- Input: Single SC-APC input adapter
- Outputs: SC-APC bulkhead outputs
- Can be configured for various adapter types- LC/APC, LC/UPC, SC/APC, & SC/UPC
- Patch Module options: 4, 8, 16, or 32 ports
- Maximum modules:
 - (1) 32-count combined with (1) 16, 8 or 4 count
 - (2) 16, 8 or 4 counts combined

Applications

- MxU—Multiple units (residential, commercial) housed in building/campus
- Cellular backhaul demarcation and colocation
- Business-class service delivery
- Separate/secure interconnection or access point

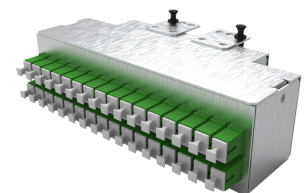
Ordering information

Part Number	Descriptions
EPSP-0000-0	Enclosure without splitter modules
EPSP-16AA-1	Splitter module with a 1x16 SC/APC splitter
EPSP-32AA-1	Splitter module with a 1x32 SC/APC splitter

* For other configurations, please contact Westell sales or customer service



EPSP-16AA-1 - Splitter Module



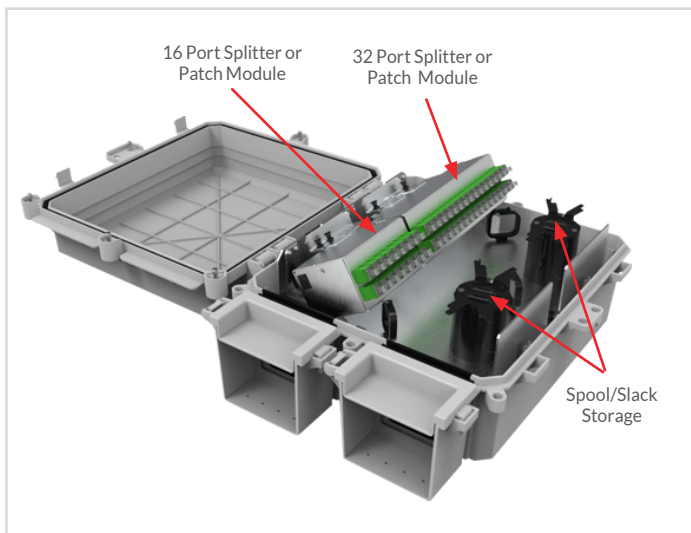
EPSP-32AA-1 - Splitter Module

Westell® | CoverEdge™ SSP Fiber Terminal (Splice, Split and Patch)

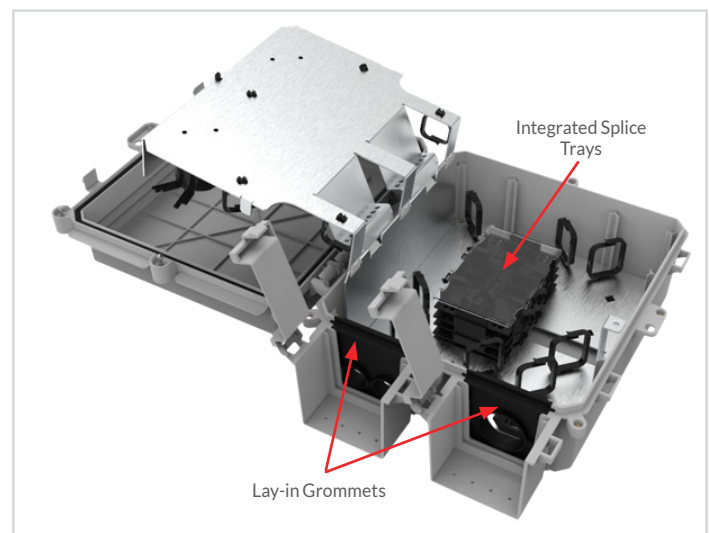


Product Specifications

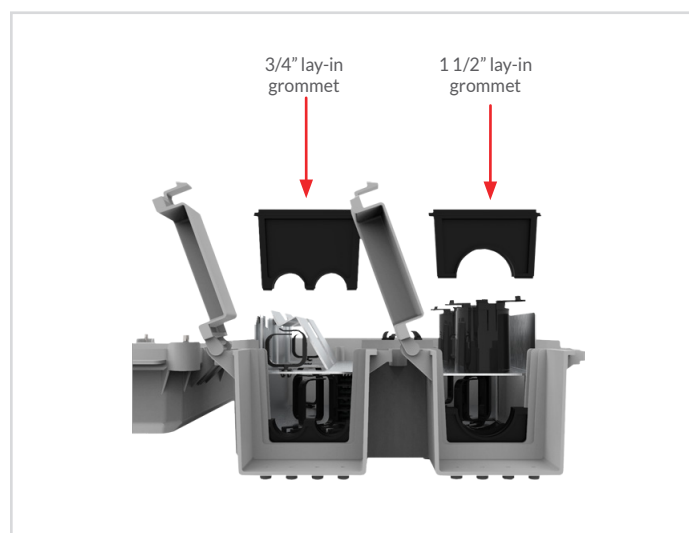
Dimensions	13"H x 12"W x 7"D
Port density	Up to 48 SC or 96 LC ports
Connector types	SC/UPC, SC/APC, LC/UPC, LC/APC (Note: Insertion loss: 0.10 dB)
Lay-in grommet and cable clamp dimensions	1 x 3/4" and 2 x 1 1/2" with 1 1/4" adapters
Ratings	Enclosure designed for IP-66 rated compliance. Designed to meet GR-3125 standard, NEMA 4X.
Temperature range	-40 °F to 167 °F (-40 °C to 75 °C), (in both operation and storage)
Security	Tamper resilient cover with pad lock hasp, hex head tamper proof captive screws, and snap latch
Mounting options	Top/Bottom mounting feet for wall, H-Frame or pole mount installations
Color	Gray



Splice (rear) chamber



Patch/drop cable (front) chamber



Lay-in Grommets



WESTELL

WESTELL.COM

Copyright © 2021 by Westell, Inc. All Rights Reserved. Information is correct at time of printing and is subject to change without notice. Westell, Inc. is an Equal Opportunity/Affirmative Action employer.

CNS-EPSP-DS-070221