



NPGMT1122 | 15 Amp-Front-Access Single-Bus GMT Fuse Panel

General Information

Westell's 10-position full front access GMT fuse and alarm panel offers some of the industry's highest GMT amperages available in a rack-mount, compact and cost competitive package. With 15 Amp fuses in a single bus, 70 Amp panel, it is a perfect fit for fused DC power distribution impacting applications with limited space.

This Westell fuse panel exceeds the requirements of both legacy and Next Generation networks.

Product Highlights

- Cost-effective compact design, expanding application flexibility
- 70 Amps output current per panel
- Single bus with 10 GMT style fuses
- Full front access (inputs/outputs/alarms/fuses)
- Form C relay contacts provided to extend alarms
- Ground lug for grounding chassis
- Universal voltage ($\pm 24/\pm 48$ VDC) offering network flexibility
- Screw-down lugs on both the inputs (two 1/4" studs) and outputs (#6 screw terminals), increasing reliability
- Front panel status LEDs and protective front connector shields
- NEBS Level 3 and UL 60950-1

Applications

- Wireless
- Central Office
- Co-locate
- Remote Sites
- Secondary Distribution



NPGMT1122

Ordering Information

Part Number	Description
NPGMT1122	15 Amp, 10 position, single bus, GMT fuse panel (70A per panel), full front access for inputs/outputs/alarms/fuses

Order fuses separately. Visit Westell.com for available fuses.

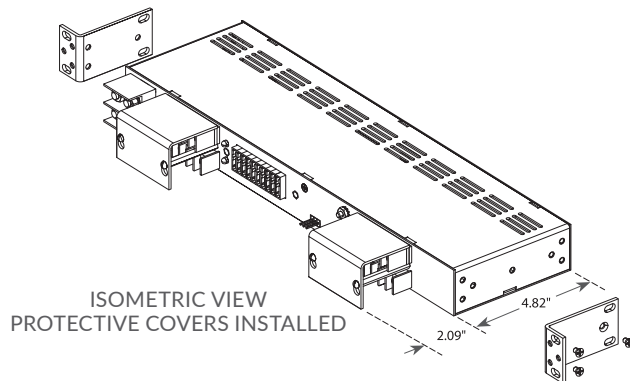




NPGMT1122 | 15 Amp-Front-Access Single-Bus GMT Fuse Panel

Product Specifications

Voltage	+/-24 or +/-48Vdc typical, +/-22 to +/-58Vdc max., polarity insensitive (+/-Bat)
Fuse Type/Size	15 Amps max.
Current/Panel	70 Amps per panel
Output/Fuse	GMT style fuse holders
Output/Bus	10 fuses
Output/Panel	1 bus per panel, front access
Input Block	Two 1/4" studs on 5/8" centers. Wire size varies per current draw, see install guide for details. Max lug width = 0.710"
Output Block	#22 AWG to 12 AWG wire Or fork/ring for #6 screw, 10 AWG forks/rings will work Max lug width = 0.320"
Alarm Block	0.045" sq wire wrap pin
Dimensions	1-3/4" H x 17" W x 7" D
Rack Mounting	19/23" racks, both 1" & 1-3/4" rack unit spacing
Weight	Approx. 8 lbs
Operating Temp.	-40°C to +65°C (-40°F to +149°F)
Color	Off White



FRONT VIEW

