

Get the coverage and installation support you need in one bundle.



Revised : August 28, 2023

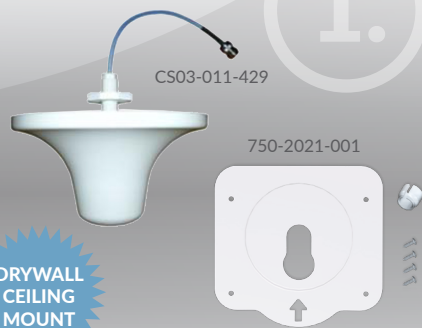
Bundle + Save!

Lower your cost and simplify in-building antenna installations for commercial, public safety, and cellular applications.

Public Safety + Commercial

698-960 MHz, 1710-2690 MHz

1.



DRYWALL
CEILING
MOUNT

CS03-011-429-BK

CS03-011-429-BK =
CS03-011-429 + 750-2021-001

Public Safety + Commercial

600-4000 MHz

2.



PVC
CEILING
MOUNT

CS03-021-833/N-BK

CS03-021-833/N-BK =
CS03-021-833/N + 750-2023-001

Cellular + UWB

600-6000 MHz

3.



PVC
CEILING
MOUNT

CS03-036-852-BK

CS03-036-852-BK =
CS03-036-852 + 750-2023-001

	3G/UMTS	5G	CBRS	4G	PUBLIC SAFETY	PCS	LAA	LTE
CS03-011-429	✓			✓	✓	✓		✓
CS03-021-833/N	✓		✓	✓	✓	✓		✓
CS03-036-852	✓	✓	✓	✓	✓	✓	✓	✓

Bundle:	Order #:	Bundle Description:	Antenna #:	Bracket #:
Public Safety Omni Quad Band Antenna Bundle	CS03-011-429-BK	ClearLink-O/698-2.7K/N antenna and 750-2021-001, drywall ceiling antenna mounting bracket.	CS03-011-429	750-2021-001
Public Safety Omni Ultra Slim Round Antenna Bundle	CS03-021-833/N-BK	Ant-O/600-4000, Thin, round/N(f) antenna and 750-2023-001, PVC ceiling antenna mounting bracket.	CS03-021-833/N	750-2023-001
Cellular UWB Omni Ultra Slim Round Antenna Bundle	CS03-036-852-BK	Slim Rnd Omni/SISO/600-6G/4.3-10(f) antenna and 750-2023-001, PVC ceiling antenna mounting bracket.	CS03-036-852	750-2023-001

Contact Us Now to Get Started!

Western Region

Gil Martinez
Sales Director-West
gmartinez@westell.com
303-435-2635

Northeastern Region

Bill Dow
Sales Director-NE
bdow@westell.com
219-808-6585

Southeastern Region

Rick Rausch
Sales Director-SE
r-rausch@westell.com
772-204-4316

Distribution

Kevin Kurz
Dir., Sales Distribution
kkurz@westell.com
828-545-8315

