

Westell® | 698-940 MHz Panel Antenna

General Information

Westell's high gain hurricane rated panel antenna is ideal for both public safety and commercial cellular applications where a high degree of control over the donor signal is required.

Product Highlights

- Ideal for high gain outdoor site applications
- Tested to withstand hurricane force winds of 185 mph*
- Narrow beamwidth

Applications

- As a donor antenna for Public Safety BDAs requiring high gain
- Supports 698-940 MHz, which includes 700 LTE, FirstNet, 700 PS, 800 PS, and 850 MHz
- Public Safety, 3G, 4G, and 5G DAS systems
- Ideal for coastal areas subject to hurricane force winds

Electrical Specifications

Frequency Band (MHz)	698-806	790-880	860-940
Polarization (°)	Vertical		
Half-Power Horizontal Beamwidth (°)	45 ± 5	40 ± 5	35 ± 5
Half-Power Vertical Beamwidth (°)	36 ± 5	37 ± 5	35 ± 5
Gain (dBi)	13 ± 0.75	14 ± 0.75	15 ± 0.75
Front-to-Back Ratio (dB)	> 20		
Sidelobe Suppression (dB)	> 20		
Cross Polarization Level (dB)	> 20		
VSWR	< 1.5		
IM.3rd Order (2 × 43 dBm)	< -156 dBc		
Impedance (Ω)	50		
Maximum Input Power (W)	300		
Lightning Protection	DC Ground		

Environmental Specifications

Operating Temperature °C	-40 ~ +70
Product Environmental Compliance	RoHS
Windload, Survival Rating mph - [km/h]	Windload 185 [297.73]*
Effective Projected Area (EPA)	3.24 ft ²

*Tested per ANSI/TIA-329-C.



Model CS03-777-999

Ordering Information

Part Number	Description
CS03-777-999	Panel Antenna 698-940 MHz 30° 15dBi

Mechanical Specifications

Connector:	
Connector Type	4.3-10 Female
Connector Position	Side
Connector Quantity	1
Antenna:	
Antenna Dimensions: Length, Width, Depth in - [mm]	19.69 x 19.69 x 7.08 [500 x 500 x 180]
Antenna Weight lb - [kg]	38.58 [17.5]
Radome Material	Fiber Glass
Radome Color (RAL)	Off White
Mounting Bracket:	
Diameter of Installation Pole in - [mm]	1.5-5.25 [38-133]
Mechanical Adjustable Tilt Range [°]	>20
Bracket / Mount Weight lb - [kg]	13.22 [6.0]
Installation Kit Material	Galvanized Steel
Packaging:	
Packing Dimensions: Length, Width, Depth in - [mm]	32.68 x 32.68 x 14.96 [830 x 620 x 380]
Shipping Weight lb - [kg]	55 [25]

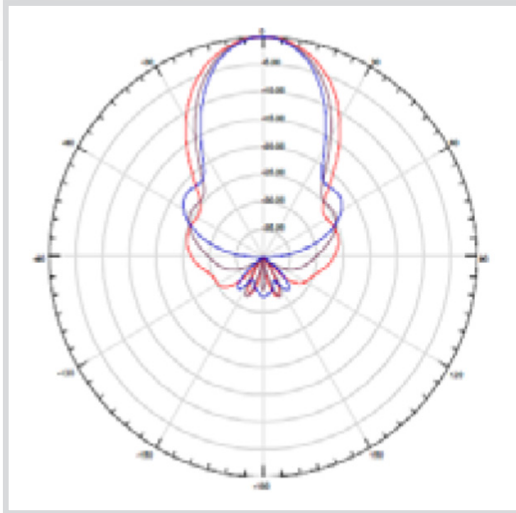
All specifications subject to change without notice.



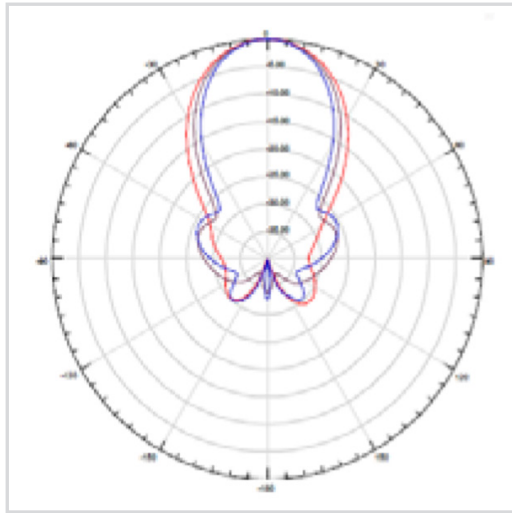
Westell® | 698-940 MHz Donor Panel Antenna



Typical Antenna Pattern



Horizontal Pattern: 698 / 860 / 940 MHz

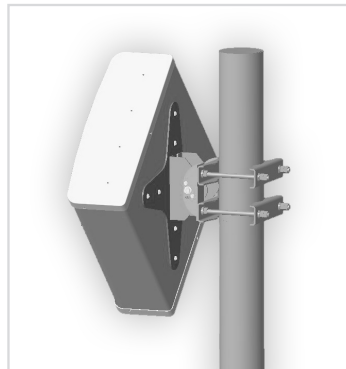


Vertical Pattern: 698 / 860 / 940 MHz

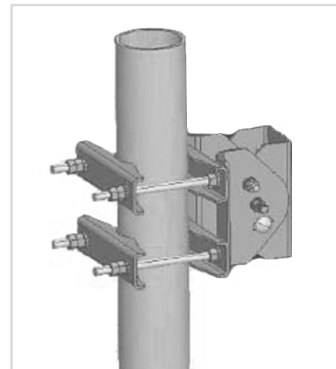
Installation and Mounting Drawings



3D Front View



3D Rear View



3D Bracket Mount View



Rear of Antenna



Rear of Antenna with Mounting Bracket



WESTELL

WESTELL.COM