

Westell® | 600-6000 MHz Hybrid Coupler

Low PIM



General Description

Hybrid couplers are typically used to combine 2 or more RF signal sources while providing high port to port isolation. And when both outputs are utilized they effectively create a nearly lossless combiner/splitter combo. They feature very low through loss and power handling capability for 200 watts average power. Coupled ports are 90° out of phase and the isolated port helps protect against mismatched loads on the coupled ports.

Frequency Range

- 600-6000 MHz

Product Highlights

- 2G/3G/4G/LTE/5G coverage
- Low VSWR & insertion loss
- High isolation
- Low passive intermodulation
- Covers all sub-6GHz 3GPP bands

Applications

- Widely used for in-building solutions
- Combining of RF sources

Specifications

Frequency (MHz)	600-6000
Coupling (dB)	3.1
Through Loss (dB) typical	3.0±1.4
Isolation (dB)	≥20
VSWR (:1)	≤1.50
PIM (dBc)	≤-160dBc@2*43dBm
Average power(W)	200
Impedance (Ω)	50
Connector	4.3/10-female
Color	Black
Temp (deg)	-35°C ~+85°C
Weight (lbs)	2.10
Mounting method	End screw slots
Dimensions (in)	5.83" x 1.77" x 1.46" (not including connectors)

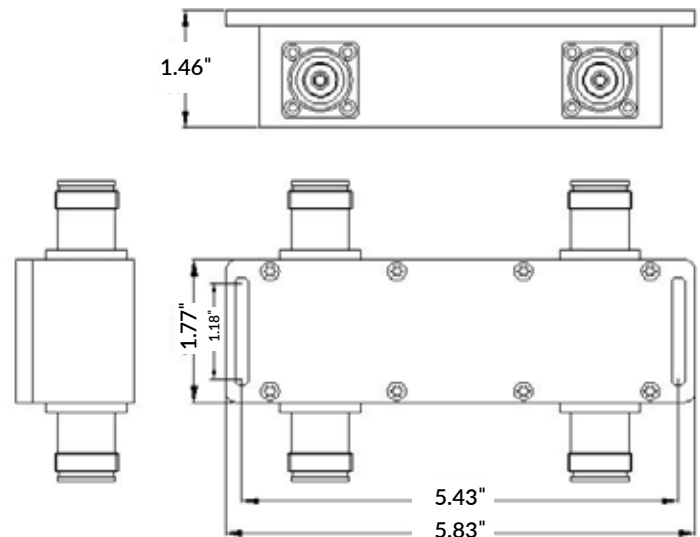
*PIM measured @ 698-2700 MHz



Ordering Information

Part Number	Description
CS63-811-390	3 dB Hybrid Coupler, 600-6000MHz, ≤-160dBc@2*43dBm (698-2700)

Mechanical Drawing



WESTELL

WESTELL.COM