

# Westell® | 555-6000 MHz Directional Couplers

5G Ready



## General Information

Directional couplers are unequal splitters that are used to balance out the RF power within a distributed antenna system. They are a perfect fit for the server side of a distributed antenna system, or to couple another signal source (such as a cellular modem) into the donor coax.

These Low PIM coaxial directional couplers feature a low through loss and power handling capability of 200 watts average power. Directional couplers have the added benefit of low VSWR on all ports plus they provide isolation on the reverse path to assure return path signal quality.

### Product Highlights

- Low Insertion Loss
- Low Passive Intermodulation
- High Stability

### Frequency Range

- 555-6000 MHz

### Ordering Information

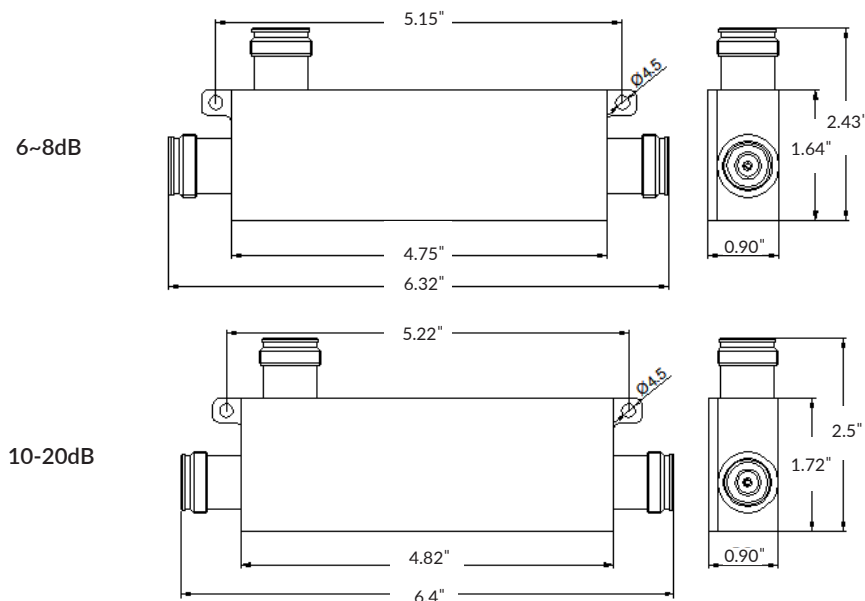
Part Number	Description
CS65-001-054	5 dB Directional Coupler, 555-6000MHz, -161 dBc, 4.3-10(f)
CS65-002-064	6 dB Directional Coupler, 555-6000MHz, -161 dBc, 4.3-10(f)
CS65-004-084	8 dB Directional Coupler, 555-6000MHz, -161 dBc, 4.3-10(f)
CS65-005-104	10 dB Directional Coupler, 555-6000MHz, -161 dBc, 4.3-10(f)



CS65-001-054 5 dB Directional Coupler with standard 4.3-10(f) connector\*

Part Number	Description
CS65-006-134	13 dB Directional Coupler, 555-6000MHz, -161 dBc, 4.3-10(f)
CS65-007-154	15 dB Directional Coupler, 555-6000MHz, -161 dBc, 4.3-10(f)
CS65-008-204	20 dB Directional Coupler, 555-6000MHz, -161 dBc, 4.3-10(f)

## Mechanical Drawing



# Westell® | 555-6000 MHz Directional Couplers

5G Ready



## Specifications

Frequency (MHz)	555-6000 MHz							
Coupling (dB)		5 ± 1.1	6 ± 1.1	8 ± 1.2	10 ± 1.2	13 ± 1.3	15 ± 1.35	20 ± 1.4
Directivity (dB)	575-2700 MHz	20						
	2700-3800 MHz	20	18	20	20	18	18	18
	3800-4900 MHz	18	16	18	18	16	16	16
	4900-6000 MHz	18	12	18	18	13	13	10
Through Loss (dB)		2.5	1.9	1.2	0.9	0.6	0.5	0.3
VSWR	1.25:1 (575-3800MHz) , 1.30:1 (3800-6000MHz)							
Passive Intermodulation	-161 dBc@2x43dBm *							
Power Rating (W)	200							
Impedance (Ω)	50							
Connector	4.3-10 Female							
Color	Black							
Temperature Range	-35 - +85(°C)							
Application	Indoor/Outdoor Use , IP65 , RoHS Compliant							
Dimensions	~6.4" x 0.90" x 2.5"							
Mounting Method	Tabs							

\*PIM measured @ 900 and 1800 MHz

